



gemini
ITALY

Ionic Air Purifying Mini Dehumidifier
負離子空氣淨化迷你抽濕機

Model No. 型號: GMD600



Thanks for purchasing this product. Please read all the instructions before attempting to operate this product and save this instruction manual for future reference. This portable mini dehumidifier is with low power consumption and for your rooms, closets and any storage area.

IMPORTANT SAFEGUARDS

When using an electrical appliance, basic safety precautions should always be observed, including the followings.

WARNING: To reduce the risk of fire, electrical shock, injury or damage, please read all the below instructions before use.

1. This product is only suitable for general household use, not for industrial or commercial purposes.
2. Note: Remember not to overturn or tear down the mini dehumidifier, the water may come out to wet the floor.
3. If the power cord or plug is damaged, please do not use it in case of any electric shock.
4. This appliance is not a toy, please do not allow children to use it alone. When using this one nearby children or pets, please pay more attention and do not leave them alone with it.
5. Use this machine only as described in this manual. Use only manufacturer`s approved and supplied parts and accessories. Use other than ours accessories is not recommended and will void the warranty.
6. Do not use the product near explosive materials, inflammable liquids or any type of gas; it may cause fire or explosions.
7. Do not use this product in a high temperature environment. Do not place this product near heated objects or equipment. The product may be damaged.
8. If the operation is abnormal, please contact our after-sales service centre for repair. Please do not try to repair it by yourselves.
9. This appliance is not intended for use by persons (including children) with reduced physical, sensory or mental capabilities, or lack of experience and knowledge, unless they have been given supervision or instruction concerning use of appliance by a person responsible for their safety.
10. Store the appliance in a cool, dry and safety place after use.
11. Please unplug the appliance and empty the water tank timely after use.

PRODUCT FEATURES

Semiconductor dehumidification technology, no compressor design, Air Filter, Carbon filter and Anion purification triple air purification

Removable transparent water tank, 1.5L translucent water tank

Automatic switch off when the tank is full of water

Very low noise

Compressor free, environmental friendly

Dehumidification: Approximately 600ml/day (at 30°C and 80%RH)

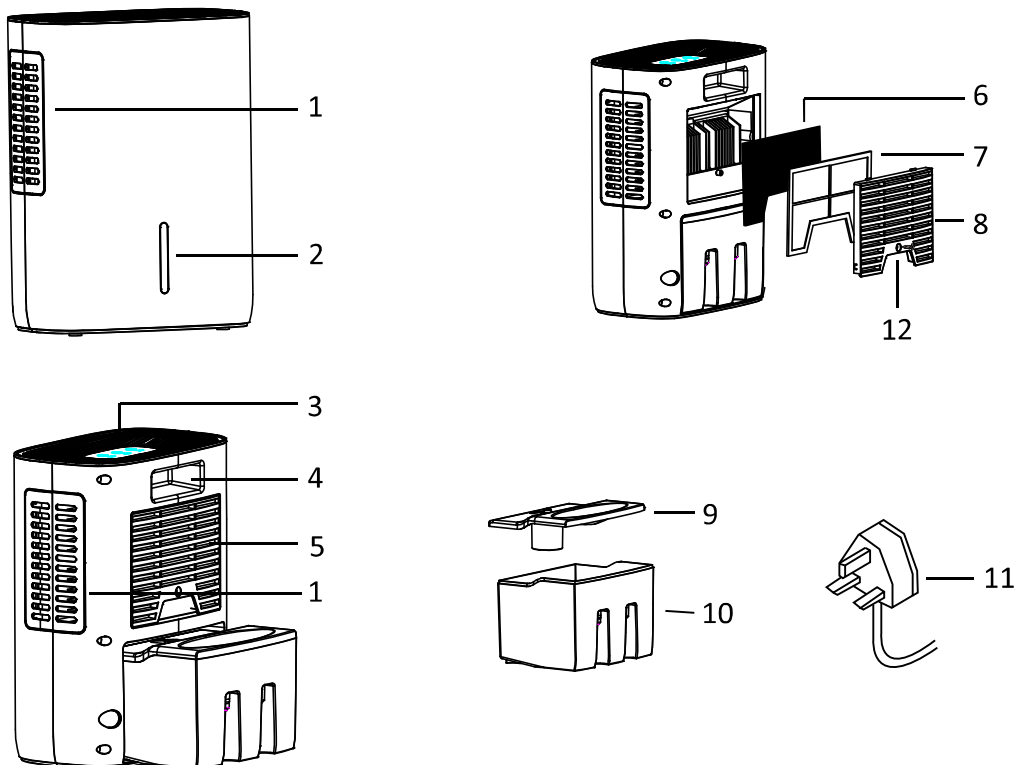
Low power consumption: 75W

Applicable to storage room, wardrobe, rooms and so on

BASIC FUNCTIONS

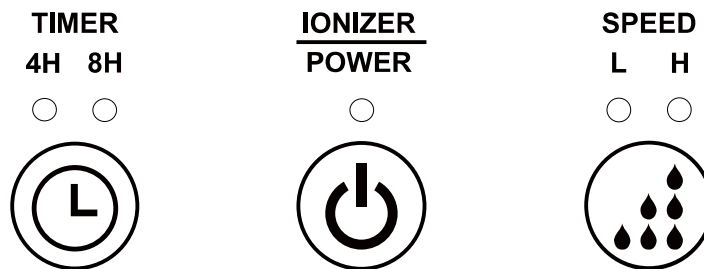
This Mini Dehumidifier uses semiconductor technology (no compressor) which makes it light and quiet. Poor ventilation causes musty odours and damp in small area & mobile areas, such as room, larders, closet, cabinets & mobile container etc. The energy saving Mini Dehumidifier eliminates this problem by keeping them free of unwanted moisture.

PARTS



1.	Air Outlets	7.	Air Filter
2.	Water Level Window	8.	Air Inlet Cover
3.	Control Panel	9.	Water Tank Cover
4.	Handle	10.	Water Tank
5.	Air Inlet	11.	Power Plug
6.	Carbon filter	12.	Screw

Control Panel



Power

Connect the power plug to the appropriate electrical socket outlet. Press the Power button to turn the appliance with Ionizer function ON. Press the Power button again to turn the appliance OFF.



Speed

Press the Speed button to choose “L” for low speed mode or choose “H” for high speed mode. Low speed mode is suitable for condition with less moisture or at night time use. High speed mode with higher dehumidifying efficiency is suitable for condition with more moisture or at day time use.



Timer

Press the Timer button to set the operation time. The unit will automatically turn off after the set period of time. The unit can be set to turn off after 4 or 8 hours.

When tank is full of water

- 1) The dehumidifier will stop working when water tank is full with approximately 1.5L of water and the indicator light of Power on control panel will turn red.
- 2) Please turn off the power before remove the water tank, pull out the water tank gently, open the lid of water tank pour out water directly from water tank
- 3) After the water are completely poured out and then put the water tank back in the machine. Please restart the machine if need to dehumidify.

ATTENTION: Do not re-use or consume the water collected in the tank as it may contain germs, bacteria, fungi, and microorganisms.

The dehumidifier will stop working when moving out the tank from machine and the indicator light of Power will turn red.

CARE AND MAINTENANCE

CAUTION: Turn off the power and unplug the power cord before performing any maintenance or repair.

1. Turn off the mini dehumidifier and unplug the plug before cleaning.
2. Use a clean, soft towel to wipe the surface of the fuselage, and then clean the air inlet and exhaust dust with a clean brush.
3. Do not use the rough towel to clean the body and avoid to damage the glossy surface.
4. Do not clean the machine in water or under the tap. Water may cause damage to the machine.
5. Do not use any destructive cleaning agents to wipe the body surface.

STORAGE INSTRUCTIONS

If you are not going to use the machine for a long time:

1. The water in the tank should be dry and ensure no residue inside.
2. Wrap up the power cord.
3. The machine should be stored in a cool, dry place to avoid direct sunlight, extreme temperatures and dusty environment.

CAUTIONS

1. Take out the dehumidifier gift box. Remove the packing material of the unit, and do not use the unit upside down.
Caution: Keep at least 30cm free space around the unit, and far away from the soft objects, such as window curtains to make sure the air circulation is smooth.
2. Avoid using the product in places where it is too wet or accumulated water. The wires should be placed in a ventilated position when in use.
3. Keep the air inlet and air outlet clear to avoid blocking the openings. Do not obstruct the air openings with soft items such as clothes, plastic bags, paper...etc.
4. If there is a problem with the power cord, please contact our after-sales service for assistance. Do not repair the machine by yourself as there is risk of electric shock.
5. **WARNING:** When the mini dehumidifier is operating, the mini dehumidifier should stand vertical, cannot be tilted or pushed down to avoid water leakage and wet the floor or the possibility of electric shock.
6. The dehumidifying capacity is measured based on ambient condition of 30°C and 80% RH. The dehumidifying capacity will be affected by ambient temperature and relative humidity. At a lower ambient temperature or relative humidity, the amount water collected will be less.
7. Turn off the power key and unplug the power cord after every use.

PRODUCT SPECIFICATION

Daily capacity: 600ml (at 30°C and 80%RH)

Water tank capacity: 1.5L

Low power consumption: 75W

Product dimension: 230(W) x 305(H) x 138(D) mm

Power cord length: Around 1.5 metre

Model No.: GMD600

感謝您選購此產品，使用前請仔細閱讀此說明書及妥善保管，以備日後使用。本款便攜、節能及寧靜的迷你抽濕機，適合在您的房間、衣櫃或任何儲物空間使用。

重要提示

使用本電器產品，應當遵守基本安全事項，內容如下：

警告：為了避免火警、觸電或造成傷害，在使用產品前請務必仔細閱讀以下提示。

1. 此產品只適合一般家庭使用，切勿當工業或商業用途。
2. 注意：切記勿推翻或推倒此抽濕機，水箱裡的水可能會流出機身弄濕地板。
3. 如產品電源線或插頭有破損時，切勿使用，以免觸電。
4. 此產品並非玩具，切勿讓兒童單獨使用。如在兒童或寵物附近使用，請特別留意，切勿離開。
5. 請根據說明書使用本產品，切勿作其他用途使用。維修時，需使用原裝的配件，使用非原裝配件或不根據說明書使用產品，本產品將不被保養。
6. 切勿存放於有易燃易爆氣體、液體等地方使用產品，以免造成爆炸的危險。
7. 切勿在高溫環境使用本產品，切勿將本產品靠近發熱的物件或器材，否則產品可能會被損壞。
8. 如產品不能正常工作，請將產品帶到指定客戶服務中心進行檢查維修，切勿自行拆開本產品嘗試維修，以免造成危險。
9. 請勿讓身體有殘障、精神不健全及對產品缺乏經驗或知識的人士(包括小孩)單獨使用此產品。如需使用，必須要在負責任的成年人監管下使用。
10. 產品不使用時，請將產品儲存在陰涼、乾爽的地方，且要遠離兒童。
11. 使用後，請拔下電源插頭，並倒出水箱中所有的水，讓水箱完全乾透。

產品特點

- 半導體除濕技術，無壓縮機設計，對環境無污染
- 空氣過濾網，活性炭濾網及負離子淨化三重空氣淨化
- 可拆式透明水箱
- 內置水位感應器：水滿自動停止工作，以防外溢
- 寧靜設計
- 外形新穎美觀、體積迷你、方便移動
- 抽濕量：600 毫升/日（環境濕度 80% 溫度攝氏 30 度）
- 1.5 升水箱容量
- 節能設計，操作能耗：75 瓦
- 適用於儲存室、衣櫃、房間等地方使用

基本功能

- 此環保抽濕機使用半導體抽濕技術（不含壓縮機及化學物質），環保、輕巧和寧靜。

- 缺乏空氣流通的潮濕空間容易產生異味、黴菌、細菌或其他真菌，影響身體健康。此抽濕機能去除空氣內多餘水分，令空氣乾燥、清爽，解決此類問題。
- 此款抽濕機的耗電量小、外形新穎美觀、方便移動、用途廣闊等特點。
- 此抽濕機除了抽濕的基本功能外，還包括以下空氣淨化功能。

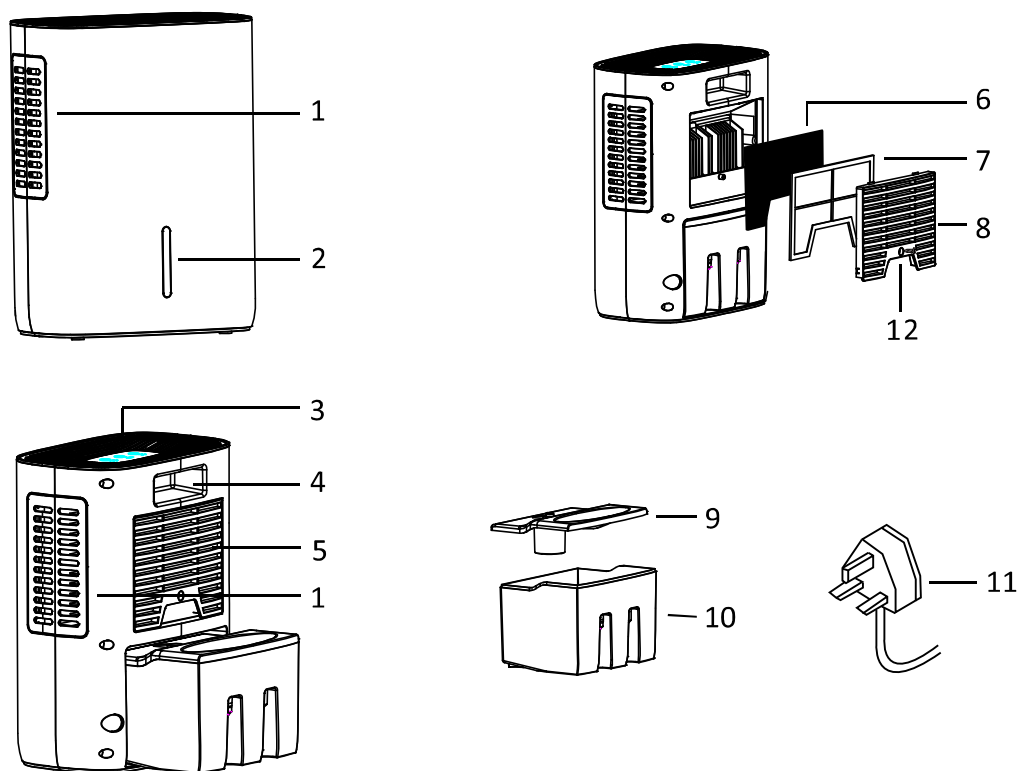
活性炭濾網

活性炭濾網可幫助過濾空氣中的油蒸氣，氣味，甲醛，苯和其他有毒氣體。

負離子空氣淨化功能

當人們漫步在海邊、瀑布和森林時，會感到呼吸舒暢，心曠神怡，最重要的原因是空氣中含有豐富的負離子。而空氣環境變差主要是由於空氣中正、負離子濃度比例失衡，空氣中含有有害氣體和煙霧、灰塵、病毒、細菌等。負離子一方面可以調節正、負離子濃度比，另一方面又可起到淨化空氣的作用。負離子能使空氣中微米級肉眼看不見的漂塵，通過正負離子吸引、碰撞形成分子團下沉落地，且負離子能破壞細菌的蛋白質組織，從而使細菌致死。負離子淨化空氣的特點是覆蓋範圍廣，擴散速度快，對空氣、物品表面的微生物、細菌、病毒均有殺滅作用。

產品部件圖



1.	出風口	7.	空氣過濾網
2.	水箱窗口	8.	進風口蓋
3.	控制面板	9.	水箱蓋
4.	把手	10.	水箱
5.	進風口	11.	電源插頭
6.	活性炭濾網	12.	螺絲

控制面板



電源開關制

插上電源插頭後，按一下電源開關制啟動抽濕機，負離子也會同時產生，再按一下，抽濕機關機。



風速制

按風速制選擇“L”低風速或“H”高風速。低風速適合濕度較低的天氣或晚上。高風速適合用於較潮濕或白天。



定時制

按定時制選擇抽濕機操作時間。抽濕機將於所選時間（4小時/8小時後）停止操作。

水箱水滿處理

- 1) 當水箱水滿（大約抽濕量1.5升），本機自動停止工作。電源開關指示燈變為紅色。
- 2) 移出水箱前，請先關上抽濕機，然後慢慢地拉出水箱，打開水箱蓋，將水箱中的水倒出。
- 3) 水完全倒出後，把水箱蓋好放回機身內。如需繼續抽濕，請重新開啟電源開關。

注意：不要使用水箱中所收集的水，因為它可能含有細菌，細菌，真菌和微生物。當水箱被拉出或沒裝好時，本機自動停止工作。電源開關指示燈變為紅色。

維護與保養

注意：在進行任何的保養或維修之前請先關閉電源並拔下插頭以免觸電。

1. 在清潔抽濕機之前，先關閉抽濕機電源開關。
2. 使用乾淨柔軟的毛巾擦拭機身表面，然後用乾淨的刷子清潔進風口和出風口的灰塵。
3. 清潔機身時，不要用粗糙的毛巾，以免損害機身表面的光澤度。
4. 不要把本機放入水中或在水龍頭下清潔。機身進水可能導致本機器損壞。
5. 不要使用破壞性的清潔劑擦拭機身表面

抽濕機的儲藏

如果您準備長時間不使用：

1. 水箱內的水倒乾並確保沒有水剩下在水箱內。
2. 將電源線繞好收起來。
3. 本機應存放在陰涼及乾爽的地方，避免陽光直射，溫度差距大及多塵的環境。

注意事項

1. 從包裝盒內取出抽濕機。將抽濕機連接電源前，首先將產品的包裝物料移除及檢查水缸是否已經安裝好。
注意：使用產品期間，請在產品周圍保留 30cm 的距離，以保持產品周圍的空氣流通。
2. 避免在過濕或積水的地方使用本產品；使用時，電線要放在通風的位置。
3. 抽濕機工作時，避免衣物、塑料袋、紙張等柔軟的物品堵塞進風口和出風口。
4. 如果確定電源線有問題，請聯絡售後服務部進行檢查或維修。不能擅自拆開配件，以免出現觸電的危險。
5. 注意：當抽濕機工作時，抽濕機要保持豎直狀態，不能傾斜或被推倒，以免水箱的水漏出弄濕地板或致觸電的可能。
6. 抽濕量的量度標準是在室溫攝氏 30 度及相對濕度 80%。抽濕量會受室溫及相對濕度影響。在低溫或低濕度的環境下，本機所收集到的水份會較低。
7. 每次使用完畢後，請關上電源鍵，並待抽濕機轉動停止後拔下電源插頭。

產品規格

抽濕量：約 600 毫升 / 日（在攝氏 30°C 及 80% 相對濕度環境下）

水箱容量：1.5 升

低耗電量：75 瓦

產品尺寸：230(闊) x 305(高) x 138(深) 毫米

電線長度：約 1.5 米

產品型號：GMD600

請記錄下列產品資料

● 型號

● 機身編號

● 經銷商名稱

● 購買日期

本產品不斷改進中，如功能有所更改，恕不另行通知，如有疑問，請與客戶服務中心聯絡，不便之處，敬請原諒。

說明書內容以英文版本為準

ToolBox Customer Service Centre 客戶服務中心：

7/F., Goodwill Industrial Building, 36-44 Pak Tin Par Street, Tsuen Wan, N.T.
新界荃灣白田壩街36-44號信義工業大廈7樓

Customer Service Hotline 客戶服務熱線：(852) 8210 8210
Service E-mail 電郵地址：8210service@gilman-group.com
Please register now at 請即上網登記：www.toolbox.hk
Website 網址：www.gilman-group.com



Proudly Serviced by:



太平家庭電器

2/F, Shing Dao Industrial Building, 232 Aberdeen Main Road, Hong Kong
香港香港仔大道232號城都工業大廈2樓

